



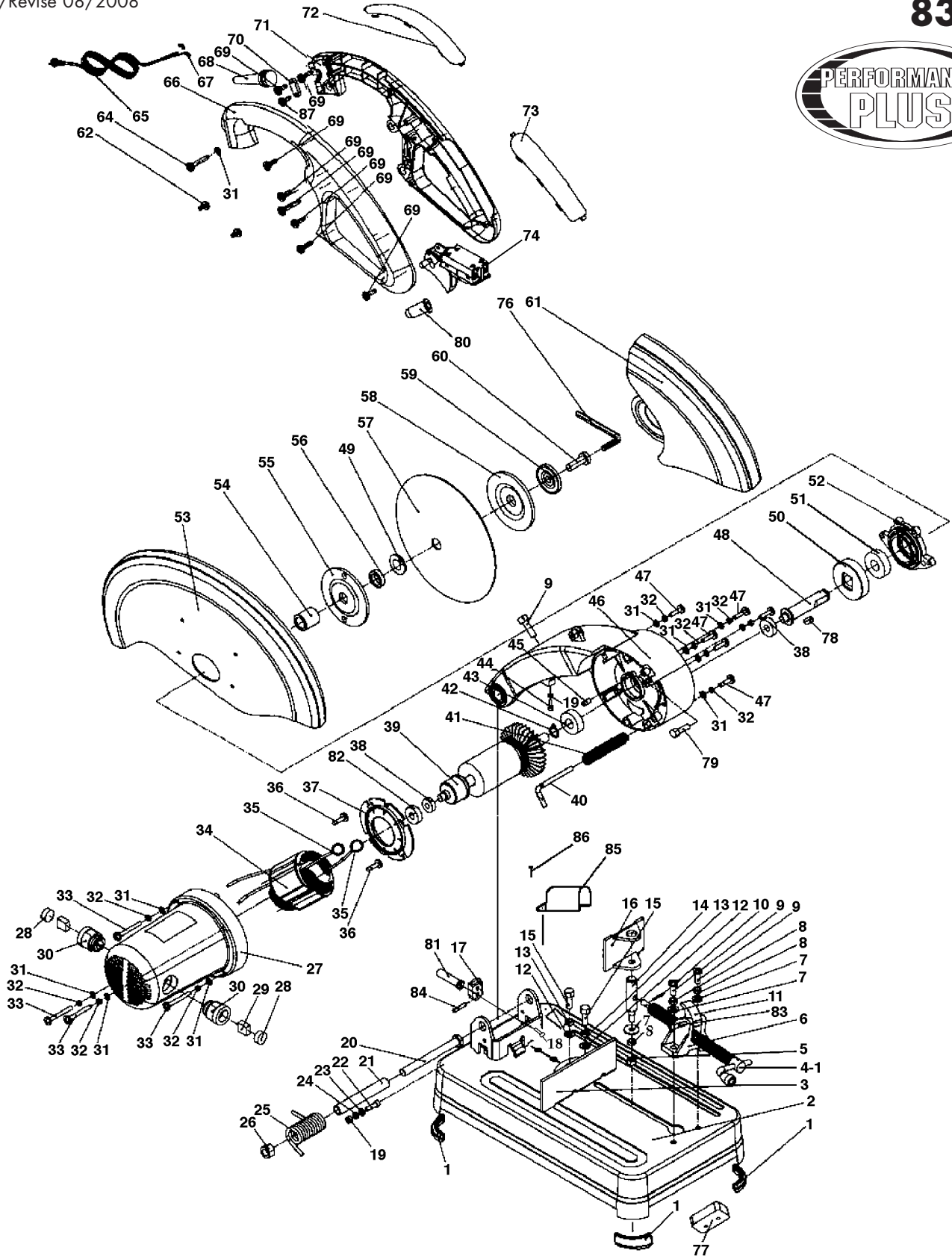
Service Manual / Manuel de Service

14" Cut-Off Saw Tronçonneuse 14"



Revised/Revisé 08/2008

8342





Parts Pricing List / Liste de Prix des Pièces

8342

Diag.	Order # Com.	English Description	Description Française	Qty./Qté.	Price/Prix
1	4983420010	RUBBER FOOT	PIED EN CAOUTCHOUC	4	\$3.74
2	4983420020	BASE	SOCLE	1	\$44.68
3	4983420030	FIXED CLAMP	PLAQUE ETAU FIXE	1	\$13.63
4-1	4983420041	QUICK VISE SCREW ASS'Y	TIGE VISSEE A RELACHEMENT ASS.	1	\$50.54
5	4983420050	NUT	ECROU	1	\$1.61
6	4983420060	CLAMPING HALF NUT BODY	ATTACHEMENT EN DEMI-ECROU	1	\$16.04
7	4983420070	WASHER	RONDELLE	3	\$1.73
8	4983420080	SPRING WASHER	RONDELLE A RESSORT	3	\$1.67
9	4983420090	RD. HD. SCREW	VIS A TETE RONDE	3	\$1.78
10	4983420100	COTTER PIN	GOUPILLE	1	\$1.55
11	4983420110	CLAMPING HALF NUT	LEVIER DEMI-ECROU	1	\$13.05
12	4983420120	WASHER	RONDELLE	2	\$1.67
13	4983420130	SPRING WASHER	RONDELLE A RESSORT	2	\$1.55
14	4983420140	THREADED SHAFT	TIGE DE PIVOTEMENT FILETEE	1	\$10.29
15	4983420150	CAP SCREW	BOULON A TETE CYLINDRIQUE	2	\$2.13
16	4983420160	MOBILE CLAMP	PLAQUE-ETAU MOBILE	1	\$12.25
17	4983420170	LIMITING STOPPER	LIMITE D'ARRET	1	\$3.97
18	4983420180	CAP SCREW	BOULON A TETE CYLINDRIQUE	1	\$2.47
19	4983420190	HEX. NUT	ECROU HEXAGONAL	2	\$1.61
20	4983420200	HEX. BOLT	BOULON HEXAGONAL	1	\$5.23
21	4983420210	HOLLOW SHAFT	TIGE CREUSE	1	\$5.00
22	4983420220	CAP SCREW	BOULON A TETE CYLINDRIQUE	1	\$2.24
23	4983420230	WASHER	RONDELLE	1	\$1.55
24	4983420240	SPRING WASHER	RONDELLE A RESSORT	1	\$1.55
25	4983420250	TORSION SPRING	RESSORT A TORSION	1	\$15.70
26	4983420260	HEX. NUT	ECROU HEXAGONAL	1	\$1.78
27	4983420270	HOUSING	BOITIER DU MOTEUR	1	\$43.64
28	4983420280	BRUSH CAP	CAPUCHON DES BALAIS	2	\$3.28
29	4983420290	CARBON BRUSH SET(2)	JEU DE BROUSSE AU CARBONE(2)	1	\$16.04
30	4983420300	BRUSH HOLDER	PORTE-BALAIS	2	\$9.14
31	4983420310	WASHER	RONDELLE	9	\$1.67
32	4983420320	SPRING WASHER	RONDELLE A RESSORT	8	\$1.55
33	4983420330	PAN HD. SCREW	VIS A TETE BOMBEE	4	\$1.78
34	4983420340	FIELD COIL	BOBINE D'ENTRAINEMENT	1	\$91.83
35	4983420350	TERMINAL	TERMINAL	2	\$2.24
36	4983420360	TAPPING SCREW	VIS AUTOTARAUDEUSE	2	\$3.05
37	4983420370	FAN PROTECTOR	PROTECTEUR DU VENTILATEUR	1	\$5.00
38	4983420380	BALL BEARING	ROULEMENT A BILLES	2	\$12.59
39	4983420390	ARMATURE	ARMATURE	1	\$114.83
40	4983420400	LOCK PIN	TIGE DE VERROUILLAGE	1	\$4.77
41	4983420410	SPRING	RESSORT	1	\$4.31
42	4983420420	RETAINING RING/SHAFT	ANNEAU DE RETENU/TIGE	1	\$1.55
43	4983420430	BALL BEARING	ROULEMENT A BILLES	1	\$11.44
44	4983420440	CAP SCREW	BOULON A TETE CYLINDRIQUE	1	\$2.76
45	4983420450	RUBBER CYLINDER	CYLINDRE EN CAOUTCHOUC	1	\$2.01
46	4983420460	MAIN ARM	BRAS SUPPORT	1	\$64.00
47	4983420470	PAN HD. SCREW	VIS A TETE BOMBEE	4	\$1.73

Pricing subject to change without prior notice. / Prix sujet à changement sans préavis.



Parts Pricing List / Liste de Prix des Pièces

8342

Diag.	Order # Com.	English Description	Description Française	Qty./Qté.	Price/Prix
48	4983420480	ARBOR	ARBRE	1	\$27.31
49	4983420490	O-RING	ANNEAU EN CAOUTCHOUC	1	\$1.55
50	4983420500	HELICAL GEAR	ENGRENAGE HELICOIDALE	1	\$27.43
51	4983420510	BALL BEARING	ROULEMENT A BILLES	1	\$12.59
52	4983420520	BEARING HOLDER	PORTE-ROULEMENT	1	\$14.20
53	4983420530	FIXED GUARD	PROTEGE-MEULE FIXE	1	\$38.70
54	4983420540	SPACER BUSHING	BAGUE D'ESPACEMENT	1	\$3.74
55	4983420550	3 1/2" INNER FLANGE	RONDELLE DE L'ARBRE INT. 3 1/2"	1	\$10.06
56	4983420560	WHEEL BUSHING	BAGUE POUR LAME	1	\$3.05
57	KCOW-43214	ABRASIVE WHEEL	MEULE À TRONÇONNER	1	-
58	4983420580	3 1/2" OUTER FLANGE	RONDELLE DE L'ARBRE EXT. 3 1/2"	1	\$10.06
59	4983420590	SMALL FLANGE	RONDELLE DE L'ARBRE (PETITE)	1	\$5.23
60	4983420600	CAP SCREW	BOULON A TETE CYLINDRIQUE	1	\$1.90
61	4983420610	MOBILE GUARD (OUTSIDE)	PROTEGE-MEULE MOBILE (EXT)	1	\$27.43
62	4983420620	LOCK KNOB	BOUTON DE VERROUILLAGE	1	\$3.16
64	4983420640	SCREW	VIS	1	\$2.01
65	4983420650	POWER CORD	CORDON D'ALIMENTATION	1	\$17.19
66	4983420660	LEFT HANDLE	POIGNEE GAUCHE	1	\$16.96
67	4983420670	R TYPE TERMINAL	TERMINAL TYPE R	1	\$1.67
68	4983420680	RUBBER SLEEVE	MANCHON EN CAOUTCHOUC	1	\$3.39
69	4983420690	TAPPING SCREW	VIS AUTOTARAUDEUSE	8	\$1.67
70	4983420700	CORD CLIP	ATTACHE CORDON	1	\$2.24
71	4983420710	RIGHT HANDLE	POIGNEE DROITE	1	\$16.96
72	4983420720	RUBBER GRIP	POIGNEE ANTI-DERAPPANTE	1	\$8.45
73	4983420730	RUBBER GRIP	POIGNEE ANTI-DERAPPANTE	1	\$8.45
74	4983420740	TRIGGER SWITCH	INTERRUPTEUR A GACHETTE	1	\$25.01
76	4983420760	HEX. KEY	CLE HEXAGONALE	1	\$3.05
77	4983420770	LOCKING VISE BLOCK	BLOC DE VERROUILLAGE DE L'ETAU	1	\$6.73
78	4983420780	KEY	CLE DE RETENUE	1	\$1.90
79	4983420790	SCREW	VIS	1	\$1.90
80	4983420800	SAFETY SWITCH BUTTON	BOUTON DE SECURITE (INTERR.)	1	\$2.59
81	4983420810	BACK KNOB	BOUTON ARRIERE	1	\$3.28
82	4983420820	RUBBER CUSHION	AMORTISSEUR EN CAOUTCHOUC	1	\$2.59
83	4983420830	SPRING PIN	GOUPILLE A RESSORT	1	\$2.13
84	4983420840	SPRING PIN	GOUPILLE A RESSORT	1	\$1.90
85	4983420850	SPARK DEFLECTOR	DEFLECTEUR D'ETINCELLES	1	\$4.89
86	4983420860	PAN HD. SCREW	VIS A TETE BOMBEE	1	\$1.55
87	4983420870	TAPPING SCREW	VIS AUTOTARAUDEUSE	2	\$1.67
	498342MBIL	BILINGUAL MANUAL 8342	MANUEL BILINGUE 8342	1	\$15.00